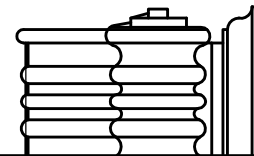


**OPERATIONS**

1 INTERIOR OF BLOCK WILL BE HOLLOW

**GENERAL NOTES:**

-PL PREMIUM ADHESIVE MUST BE USED ON ALL BEDDING/BUTT JOINTS



**SPECTIS MOULDERS INC.**

P.O. BOX 970  
100 CEDAR DRIVE  
NIVERVILLE, MANITOBA  
CANADA R0A 1E0

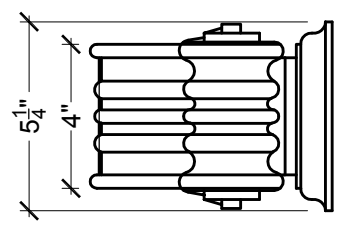
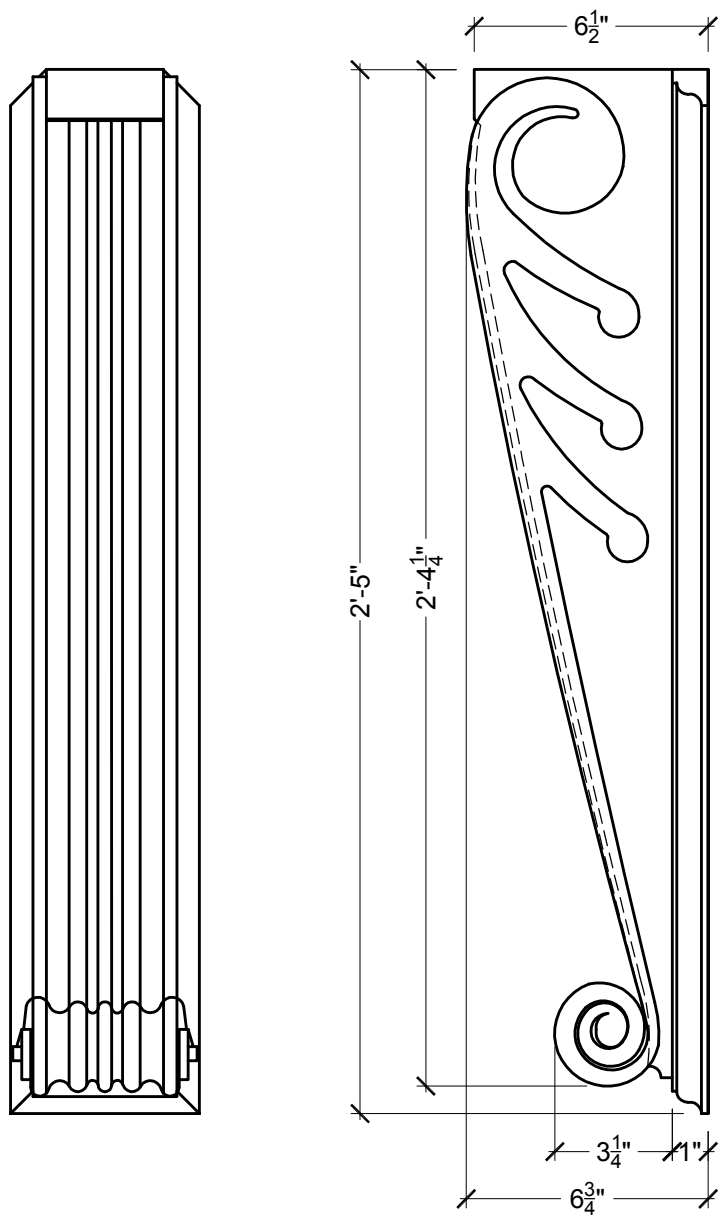
PHONE: 204-388-6700  
PHONE: 800-685-9981  
FAX: 204-388-6710

BOX 479  
PEMBINA,  
NORTH DAKOTA  
58271-0479  
U.S.A

GENERAL NOTES:  
1. ALL PRODUCTS ARE DRAWN FOR PRESENTATION PURPOSES, ONLY IMAGE MAY VARY SLIGHTLY FROM ACTUAL PART  
2. DRAWING INTENT IS TO INDICATE GENERAL ARRANGEMENT, DESIGN AND INTENT OF WORK IS PARTLY DIAGRAMATIC.  
3. SPECTIS RESERVES THE RIGHT TO CHANGE ANY PRODUCT DESIGN WITHOUT

© 2006, Spectis Moulders Inc. All rights reserved. This document may not be

CUSTOMER NAME: STANDARD PRODUCT		PART: BL2803	
REFERENCE: BLOCK		SHEET: 01 OF 01	
DRAWN BY: JRB	DATE: 07/06/12	SCALE: 3/16 = 1"	REV:



**SPECTIS MOULDERS INC.**

P.O. BOX 970  
100 CEDAR DRIVE  
NIVERVILLE, MANITOBA  
CANADA R0A 1E0

PHONE: 204-388-6700  
PHONE: 800-685-9981  
FAX: 204-388-6710

BOX 479  
PEMBINA,  
NORTH DAKOTA  
58271-0479  
U.S.A

GENERAL NOTES:  
1. ALL PRODUCTS ARE DRAWN FOR PRESENTATION PURPOSES, ONLY IMAGE MAY VARY SLIGHTLY FROM ACTUARIAL PART  
2. DRAWING INTENT IS TO INDICATE GENERAL ARRANGEMENT, DESIGN AND INTENT OF WORK IS PARTLY DIAGRAMMATIC.  
3. SPECTIS RESERVES THE RIGHT TO CHANGE ANY PRODUCT DESIGN WITHOUT

© 2006, Spectis Moulders Inc. All rights reserved. This document may not be

CUSTOMER NAME:		PART:	
STANDARD PRODUCT		BL2803	
REFERENCE:		SHEET:	
BLOCK		XX OF XX	
DRAWN BY:	DATE:	SCALE:	REV:
KN	21/08/08	$\frac{3}{16}'' = 1''$	