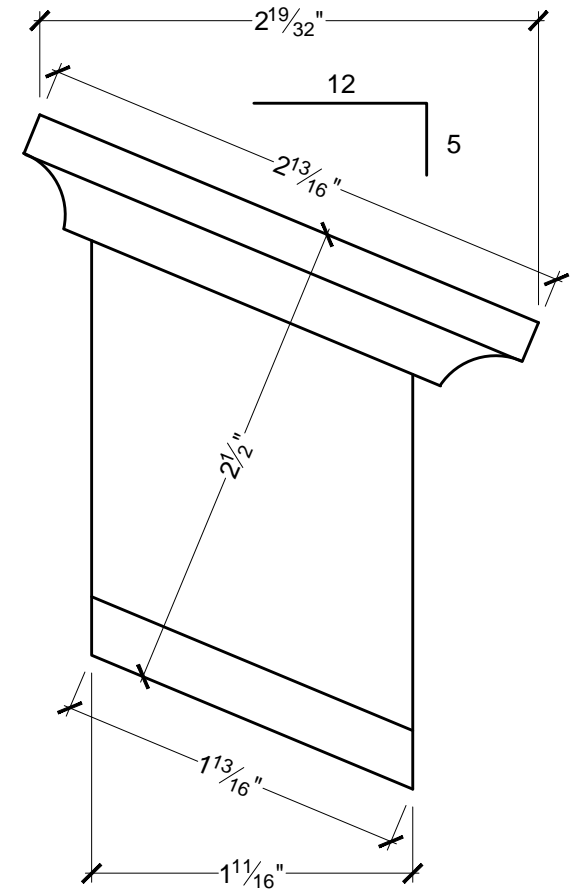


**BILL OF MATERIAL**

① BL3148R 5/12 - BLOCK - MADE OF POLYURETHANE

**OPERATIONS**

① UNFINISHED TOP AND BACK AT SPECTIS DISCRETION



**GENERAL NOTES:**

-ALL CUSTOM MANUFACTURED AND/OR MODIFIED STANDARD PRODUCTS ARE NON-RETURNABLE

-SPECTIS ADHESIVE MUST BE USED ON ALL BEDDING/BUTT JOINTS

Confirm For Correctness  
& Fax Back Within 24 Hrs.  
To (204) 388-6710  
Your Signature: \_\_\_\_\_



© 2004 Spectis Moulders Inc. All rights reserved. This document may not be used or duplicate without prior consent.

**SPECTIS MOULDERS INC.**

P.O. BOX 970      PHONE: 204-388-6700      BOX 479  
100 CEDAR DRIVE      PHONE: 800-685-9981      PEMBINA,  
NIVERVILLE, MANITOBA      FAX: 204-388-6710      NORTH DAKOTA  
CANADA R0A 1E0           58271-0479  
                          U.S.A

GENERAL NOTES:  
1. ALL PRODUCTS ARE DRAWN FOR PRESENTATION PURPOSE, ONLY IMAGE MAY VARY SLIGHTLY FROM ACTUAL PART  
2. DRAWING INTENT IS TO INDICATE GENERAL ARRANGEMENT, DESIGN AND INTENT OF WORK IS PARTLY DIAGRAMMATIC.  
3. SPECTIS RESERVES THE RIGHT TO CHANGE ANY PRODUCT DESIGN WITHOUT NOTICE.

CUSTOMER NAME: STANDARD PRODUCT		PART: BL3148R-5/12	
REFERENCE: BLOCK		SHEET: XX OF XX	
DRAWN BY: JK	DATE: 08/15/12	SCALE: 1" = 1"	REV: