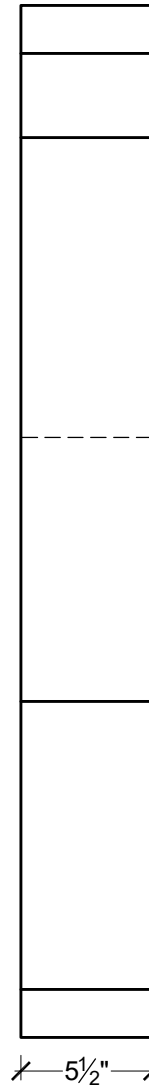
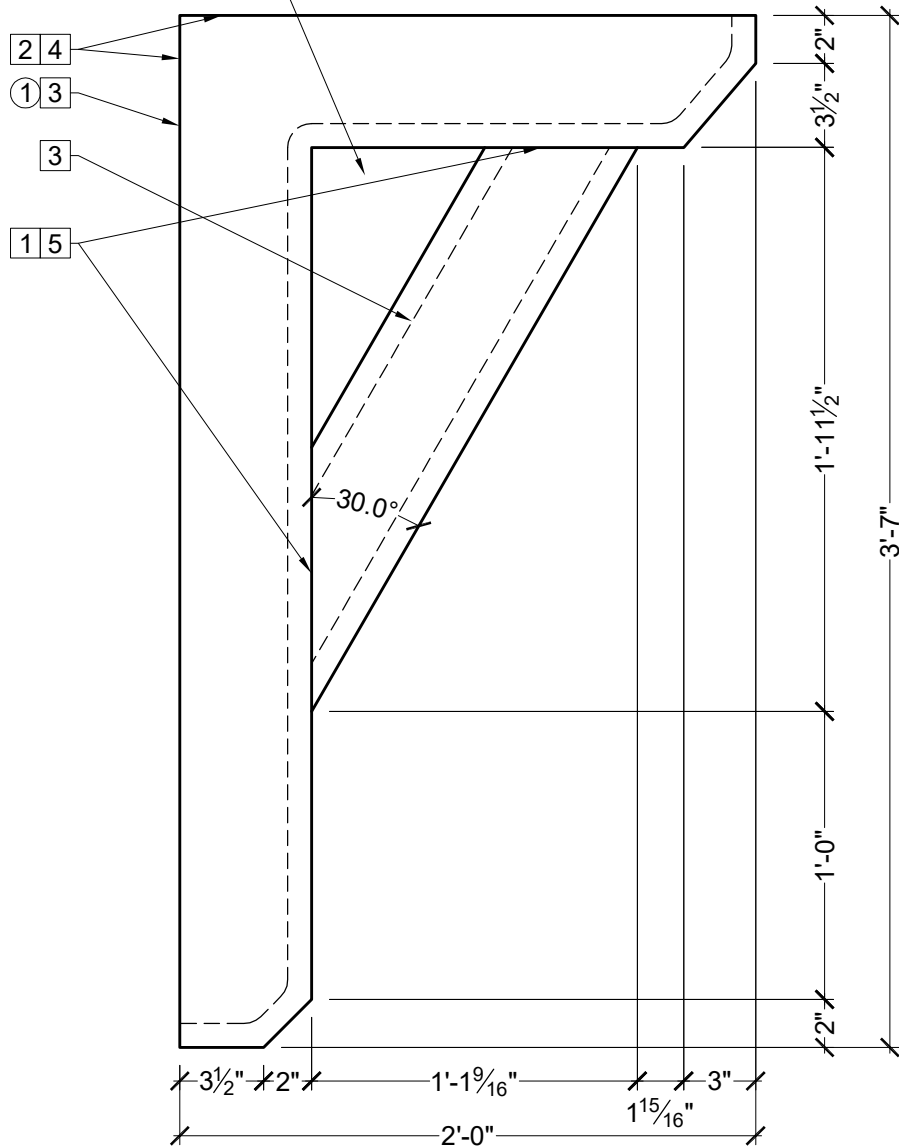


OPEN THROUGH TO BACK



**BILL OF MATERIAL**

- ① BL3160 - BRACKET MADE OF POLYURETHANE.

**OPERATIONS**

- ① MITER
- ② UNFINISHED TOP AND BACK
- ③ HOLLOW AT SPECTIS DISCRETION
- ④ OPEN TOP AND BACK
- ⑤ HAIRLINE CRACKING MAY OCCUR AT JOINTS

**GENERAL NOTES:**

-ALL CUSTOM MANUFACTURED AND/OR MODIFIED STANDARD PRODUCTS ARE NON-RETURNABLE

-SPECTIS ADHESIVE MUST BE USED ON ALL BEDDING/BUTT JOINTS

Confirm For Correctness  
& Fax Back Within 24 Hrs.  
To (204) 388-6710  
Your Signature: \_\_\_\_\_



**SPECTIS MOULDERS INC.**

P.O. BOX 970  
100 CEDAR DRIVE  
NIVERVILLE, MANITOBA  
CANADA R0A 1E0

PHONE: 204-388-6700  
PHONE: 800-685-9981  
FAX: 204-388-6710

BOX 479  
PEMBINA,  
NORTH DAKOTA  
58271-0479  
U.S.A.

- GENERAL NOTES:
1. ALL PRODUCTS ARE DRAWN FOR PRESENTATION PURPOSE, ONLY IMAGE MAY VARY SLIGHTLY FROM ACTUAL PART
  2. DRAWING INTENT IS TO INDICATE GENERAL ARRANGEMENT, DESIGN AND INTENT OF WORK IS PARTLY DIAGRAMMATIC.
  3. SPECTIS RESERVES THE RIGHT TO CHANGE ANY PRODUCT DESIGN WITHOUT

© 2006, Spectis Moulders Inc. All rights reserved. This document may not be

CUSTOMER NAME: STANDARD PRODUCT		PART: BL3160	
REFERENCE: BLOCK		SHEET: 01 OF 01	
DRAWN BY: JK	DATE: 10/29/12	SCALE: 1/8" = 1"	REV: