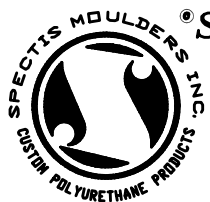
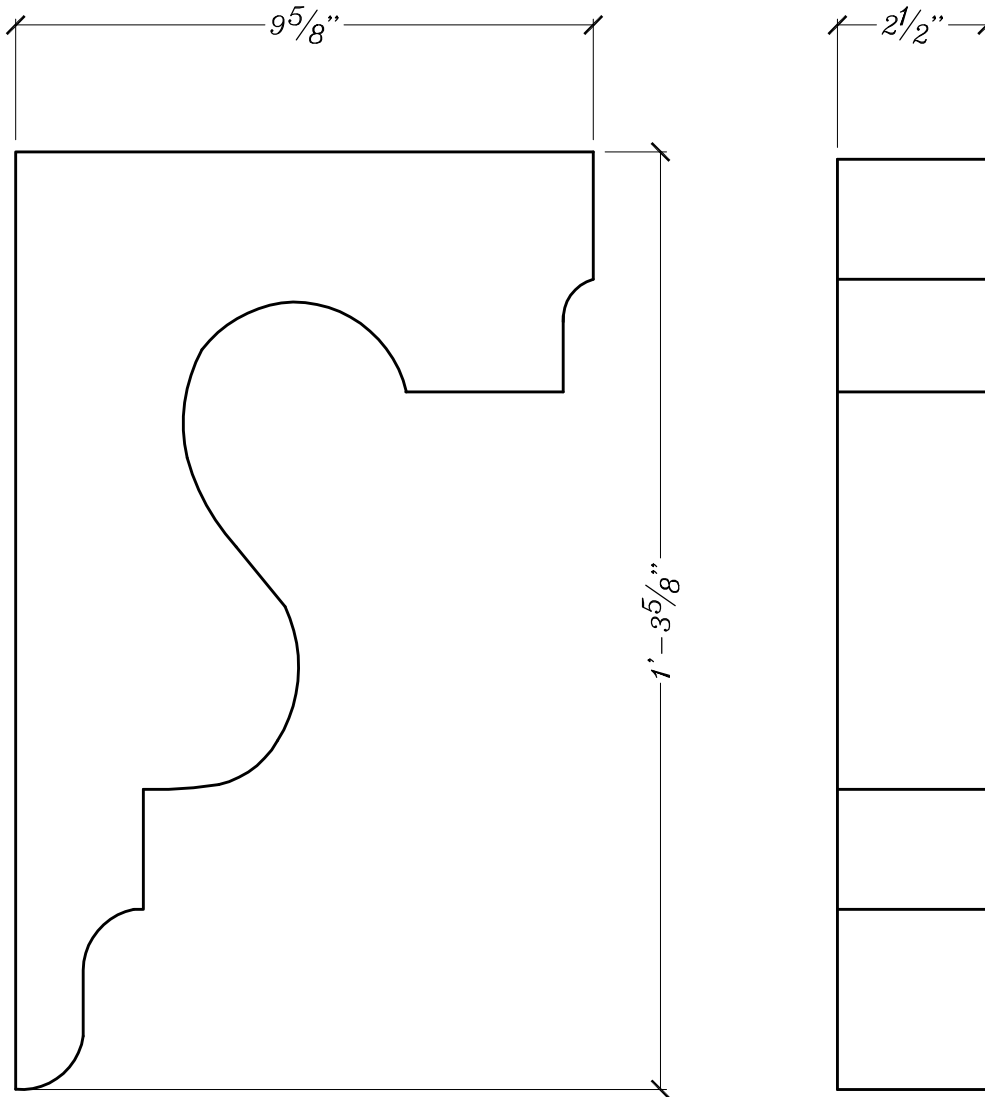


SPECTIS MOULDERS INC.
1-800-685-9981

- NOTES:
1. ALL PRODUCTS ARE DRAWN FOR PRESENTATION PURPOSES. THEREFORE IMAGE MAY VARY SLIGHTLY FROM ACTUAL PART.
 2. DRAWING INTENT IS TO INDICATE GENERAL ARRANGEMENT. DESIGN AND INTENT OF WORK IS PARTLY DIAGRAMATIC.
 3. SPECTIS RESERVES THE RIGHT TO CHANGE ANY PRODUCT DESIGN WITHOUT NOTIFICATION.

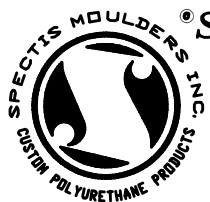
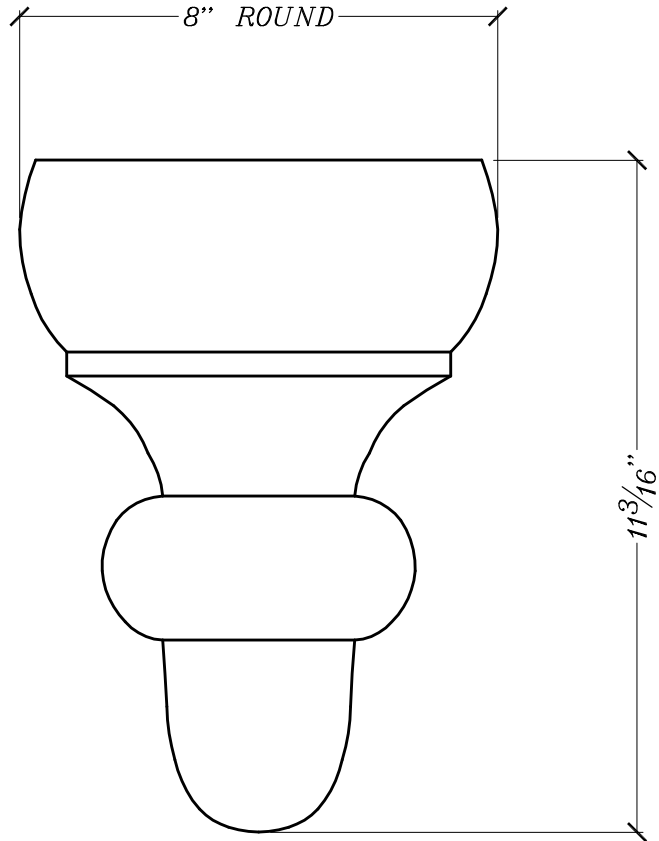
CUSTOMER/PRO. NAME & QUOTE#:		TITLE:	
STANDARD PRODUCT		BLOCK	
BILL OF MAT / PART #:		SCALE:	DATE:
BL 2425		$\frac{5}{16}$ " = 1"	05/01/04
		DWG BY:	REV
		JB	



SPECTIS MOULDERS INC.
1-800-685-9981

- NOTES:
 1. ALL PRODUCTS ARE DRAWN FOR PRESENTATION PURPOSES, THEREFORE IMAGE MAY VARY SLIGHTLY FROM ACTUAL PART.
 2. DRAWING INTENT IS TO INDICATE GENERAL ARRANGEMENT, DESIGN AND INTENT OF WORK IS PARTLY DIAGRAMATIC.
 3. SPECTIS RESERVES THE RIGHT TO CHANGE ANY PRODUCT DESIGN WITHOUT NOTIFICATION.

CUSTOMER/PRO. NAME & QUOTE#: STANDARD PRODUCT		TITLE: BLOCK	
BILL OF MAT / PART #: BL 2425 PART A		SCALE: 5/8" = 1"	DATE: 05/01/04
		DWG BY: JB	REV



SPECTIS MOULDERS INC.
1-800-685-9981

- NOTES:
 1. ALL PRODUCTS ARE DRAWN FOR PRESENTATION PURPOSES, THEREFORE IMAGE MAY VARY SLIGHTLY FROM ACTUAL PART.
 2. DRAWING INTENT IS TO INDICATE GENERAL ARRANGEMENT, DESIGN AND INTENT OF WORK IS PARTLY DIAGRAMATIC.
 3. SPECTIS RESERVES THE RIGHT TO CHANGE ANY PRODUCT DESIGN WITHOUT NOTIFICATION.

CUSTOMER/PRO. NAME & QUOTE#: STANDARD PRODUCT		TITLE: BLOCK	
BILL OF MAT / PART #: BL 2425 PART B		SCALE: 1" = 1"	DATE: 05/01/04
		DWG BY: JB	REV