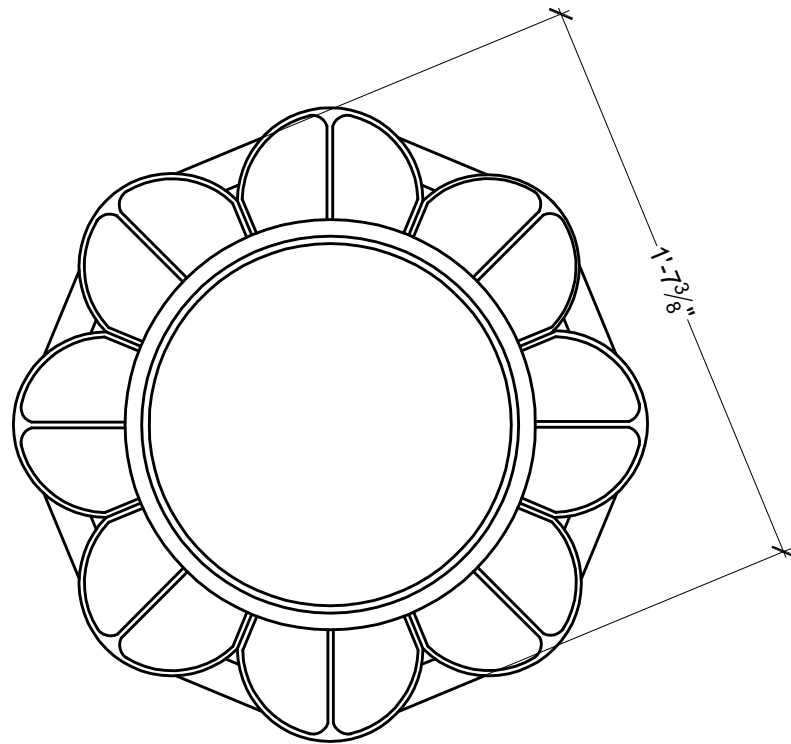
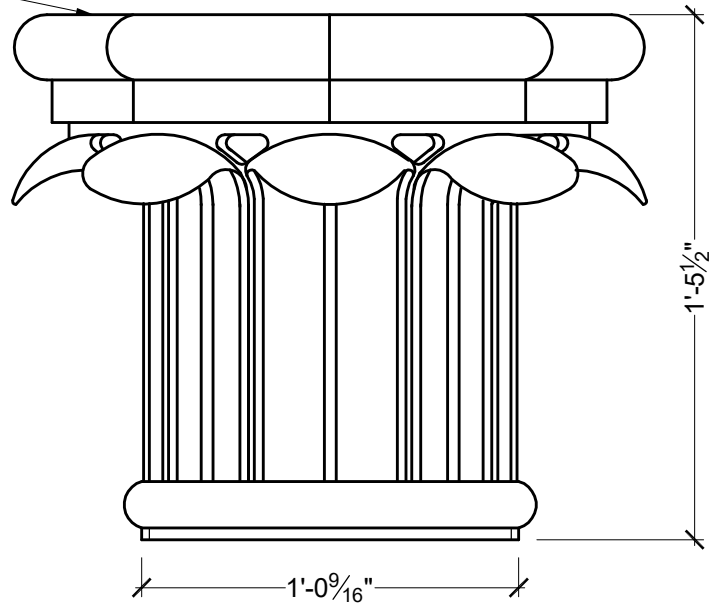


① 12



Confirm For Correctness  
 & Fax Back Within 24 Hrs.  
 To (204) 388-6710  
 Your Signature:

**BILL OF MATERIAL**

- ① CAP900-12 - ROPE CAP MADE OF POLYURETHANE.

**OPERATIONS**

- ① TOP UNFINISHED.
- ② CAP TO SIT ON TOP OF COLUMN.

**GENERAL NOTES:**

-ALL CUSTOM MANUFACTURED AND/OR MODIFIED STANDARD PRODUCTS ARE NON-RETURNABLE.

-SPECTIS ADHESIVE MUST BE USED ON ALL BEDDING/BUTT JOINTS.



**SPECTIS™**  
**MOULDERS INC.**  
 Custom Polyurethane Products

BOX 479  
 PEMBINA,  
 NORTH DAKOTA  
 58271-0479

P.O. BOX 970  
 100 CEDAR DRIVE  
 NIVERVILLE, MANITOBA  
 CANADA R0A 1E0

PHONE: 204-388-6700  
 PHONE: 800-685-9981  
 FAX: 204-388-6710

**GENERAL NOTES:**

1. ALL PRODUCTS ARE DRAWN FOR PRESENTATION PURPOSES ONLY. IMAGE MAY VARY SLIGHTLY FROM ACTUAL PART
2. DRAWING INTENT IS TO INDICATE GENERAL ARRANGEMENT. DESIGN AND INTENT OF WORK IS PARTLY DIAGRAMMATIC.
3. SPECTIS RESERVES THE RIGHT TO CHANGE ANY PRODUCT DESIGN WITHOUT NOTICE.

CUSTOMER NAME: STANDARD PRODUCT		PART: CAP900-12	
REFERENCE: CAPITAL		SHEET: 01 OF 01	
DRAWN BY: JB/JK	DATE: 11/08/17	SCALE: 5/32" = 1"	REV: