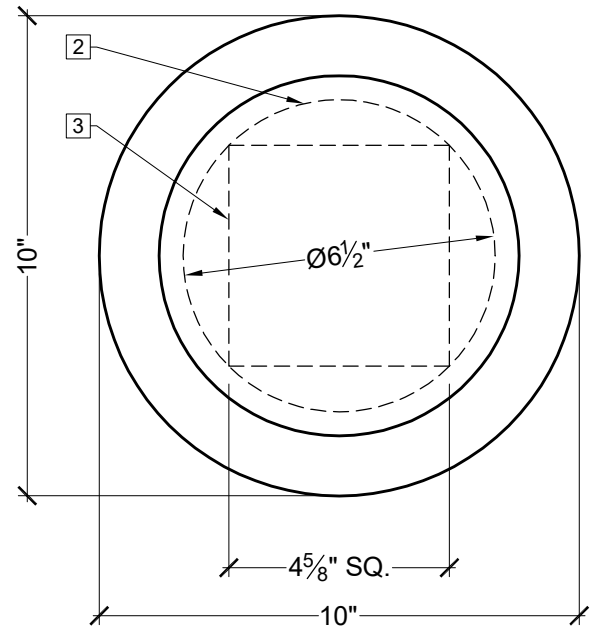
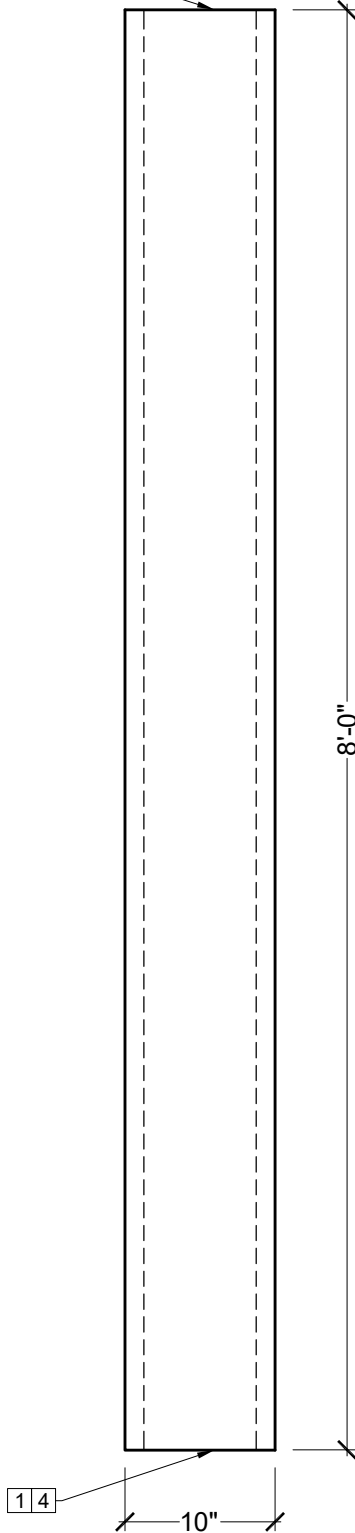


① 1 4 5 6



TOP VIEW  
SCALE: 1/4" = 1"

Confirm For Correctness  
& Fax Back Within 24 Hrs.  
To (204) 388-6710  
Your Signature: \_\_\_\_\_

**BILL OF MATERIAL**

- ① CLM300-10-8 - NON-STRUCTURAL COLUMN MAC OF POLYURETHANE AND/OR PVC AT SPECTIS' DISCRETION.

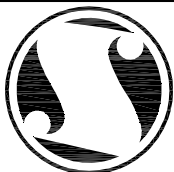
**OPERATIONS**

- ① UNFINISHED TOP AND BOTTOM.
- ② MAXIMUM ROUND INTERNAL MEMBER SIZE.
- ③ MAXIMUM SQUARE INTERNAL MEMBER SIZE.
- ④ INTERIOR HOLLOW WITH OPEN TOP/BOTTOM.
- ⑤ CAN BE SHIPPED SPLIT OR ASSEMBLED AT CUSTOMER'S REQUEST UPON ORDERING.
- ⑥ IF SPLIT, ASSEMBLED AND PATCHED ON SITE BY OTHERS.

**GENERAL NOTES:**

-ALL CUSTOM MANUFACTURED AND/OR MODIFIED STANDARD PRODUCTS ARE NON-RETURNABLE.

-SPECTIS ADHESIVE MUST BE USED ON ALL BEDDING/BUTT JOINTS.



**SPECTIS™**  
**MOULDERS INC.**  
Custom Polyurethane Products

BOX 479  
PEMBINA,  
NORTH DAKOTA  
58271-0479  
11 C A

P.O. BOX 970  
100 CEDAR DRIVE  
NIVERVILLE, MANITOBA  
CANADA R0A 1E0

PHONE: 204-388-6700  
PHONE: 800-685-9981  
FAX: 204-388-6710

GENERAL NOTES:

1. ALL PRODUCTS ARE DRAWN FOR PRESENTATION PURPOSES ONLY. IMAGE MAY VARY SLIGHTLY FROM ACTUAL PART
2. DRAWING INTENT IS TO INDICATE GENERAL ARRANGEMENT. DESIGN AND INTENT OF WORK IS PARTLY DIAGRAMMATIC.
3. SPECTIS RESERVES THE RIGHT TO CHANGE ANY PRODUCT DESIGN WITHOUT NOTICE.

CUSTOMER NAME: STANDARD PRODUCT		PART: CLM300-10-8	
REFERENCE: COLUMN		SHEET: 01 OF 01	
DRAWN BY: JK	DATE: 01/30/18	SCALE: 5/64" = 1"	REV: