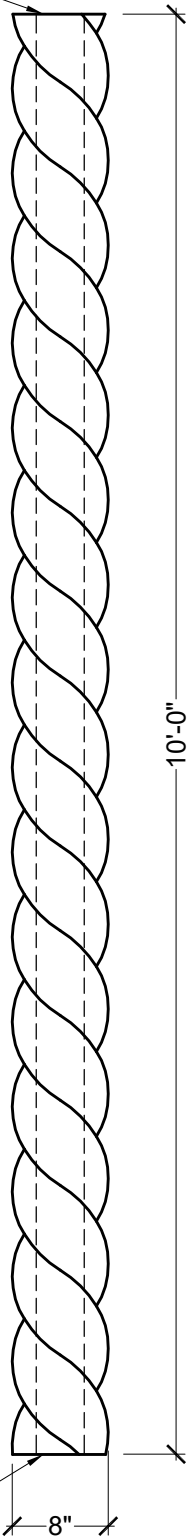
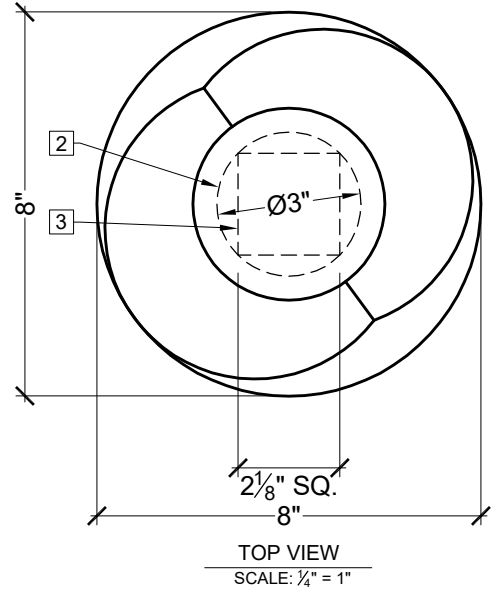


① 1 4 5 6



10'-0"

1 4



TOP VIEW  
SCALE: 1/4" = 1"

Confirm For Correctness  
& Fax Back Within 24 Hrs.  
To (204) 388-6710  
Your Signature: \_\_\_\_\_

**BILL OF MATERIAL**

- ① CLM400-8-10 - NON-STRUCTURAL COLUMN MAC OF POLYURETHANE AND/OR PVC AT SPECTIS' DISCRETION.

**OPERATIONS**

- ① UNFINISHED TOP AND BOTTOM.
- ② MAXIMUM ROUND INTERNAL MEMBER SIZE.
- ③ MAXIMUM SQUARE INTERNAL MEMBER SIZE.
- ④ INTERIOR HOLLOW WITH OPEN TOP/BOTTOM.
- ⑤ CAN BE SHIPPED SPLIT OR ASSEMBLED AT CUSTOMER'S REQUEST UPON ORDERING.
- ⑥ IF SPLIT, ASSEMBLED AND PATCHED ON SITE BY OTHERS.

**GENERAL NOTES:**

-ALL CUSTOM MANUFACTURED AND/OR MODIFIED STANDARD PRODUCTS ARE NON-RETURNABLE.

-SPECTIS ADHESIVE MUST BE USED ON ALL BEDDING/BUTT JOINTS.



**SPECTIS™**  
**MOULDERS INC.**  
Custom Polyurethane Products

BOX 479  
PEMBINA,  
NORTH DAKOTA  
58271-0479

P.O. BOX 970  
100 CEDAR DRIVE  
NIVERVILLE, MANITOBA  
CANADA R0A 1E0

PHONE: 204-388-6700  
PHONE: 800-685-9981  
FAX: 204-388-6710

GENERAL NOTES:

- 1. ALL PRODUCTS ARE DRAWN FOR PRESENTATION PURPOSES ONLY. IMAGE MAY VARY SLIGHTLY FROM ACTUAL PART
- 2. DRAWING INTENT IS TO INDICATE GENERAL ARRANGEMENT. DESIGN AND INTENT OF WORK IS PARTLY DIAGRAMMATIC.
- 3. SPECTIS RESERVES THE RIGHT TO CHANGE ANY PRODUCT DESIGN WITHOUT NOTICE.

CUSTOMER NAME: STANDARD PRODUCT		PART: CLM400-8-10	
REFERENCE: COLUMN		SHEET: 01 OF 01	
DRAWN BY: JK	DATE: 01/30/18	SCALE: 1/16" = 1"	REV: