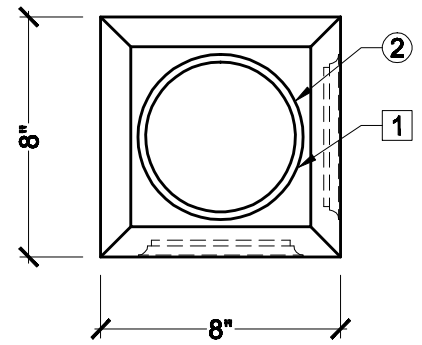
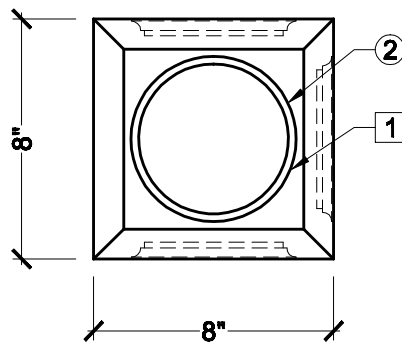


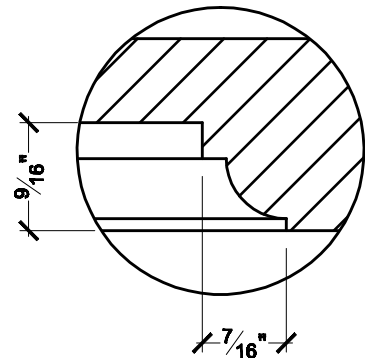
TOP VIEW OF STRAIGHT POST



TOP VIEW OF CORNER POST



TOP VIEW OF END POST



RECCES DETAIL  
SCALE: 1" = 1"

**BILL OF MATERIAL**

- ① NP2211
- ② 5" PVC PIPE

**OPERATIONS**

- ① TOP OF NEWEL POST MANUFACTURE TO ACCEPT INSTALLATION HARDWARE

**GENERAL NOTES:**

-PL PREMIUM ADHESIVE MUST BE USED ON ALL BEDDING/BUTT JOINTS

**SPECTIS MOULDERS INC.**

P.O. BOX 678  
100 CEDAR DRIVE  
NIVERVILLE, MANITOBA  
CANADA R0A 1E0

PHONE: 204-388-6700  
PHONE: 800-885-6691  
FAX: 204-388-6710

BOX 479  
PEMBINA,  
NORTH DAKOTA  
58271-0479  
U.S.A.

**GENERAL NOTES:**  
1. ALL PRODUCTS ARE DRAWN FOR PRESENTATION PURPOSES, ONLY MAKE MAY VARY SLIGHTLY FROM ACTUAL PART  
2. DRAWING INTENT IS TO INDICATE GENERAL ARRANGEMENT, DESIGN AND INTENT OF WORK IS PARTLY DIAGRAMATIC.  
3. SPECTIS RESERVES THE RIGHT TO CHANGE ANY PRODUCT DESIGN WITHOUT NOTICE.

© 2006, Spectis Moulders Inc. All rights reserved. This document may not be used or duplicate without permission.

CUSTOMER NAME: <b>STANDARD PRODUCT</b>			PART: <b>NP2211</b>
REFERENCE: <b>NEWEL POST</b>			SHEET: <b>01 OF 01</b>
DRAWN BY: <b>JB</b>	DATE: <b>11/28/07</b>	SCALE: <b>5/32 = 1"</b>	REV: